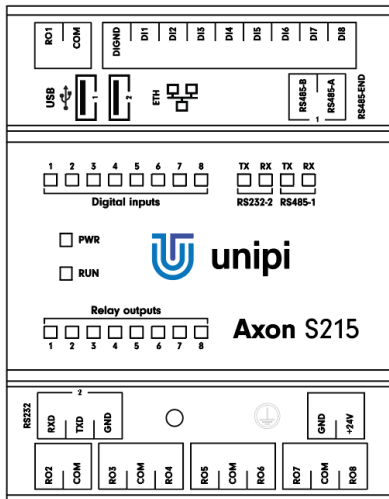


# Unipi Axon S215

## PRODUCT DESCRIPTION

Unipi Axon S215 is a programmable logic controller (PLC) and gateway designed for automation, control, regulation and monitoring. The S215 features a combination of digital inputs and relay outputs while retaining its compact size. The controller is thus suitable for a wide range of applications in smaller installations that include monitoring, reading data from binary sensors and switching of external devices via relay outputs. The S215 also features a pair of serial interfaces (RS485 + RS232) for connection of extension modules or gateways.



## COMPUTING MODULE

Allwinner H5 1.2 GHz quad-core CPU, 1GB RAM, 8GB eMMC onboard memory

## FEATURES

### Inputs/outputs

8 × digital input incl. counter  
8 × relay output

### Software

- Powered by OS Linux
- Mervis – IDE (IEC 61131-3), HMI editor, proxy server, cloud database, SCADA, wide range of supported protocols
- Open-source solutions – Node-RED, openHAB, Homebridge, FHEM, PiDome, DomotiGa, Domoticz, Pimatic and many more
- Custom SW implementation– EVOK open API, Modbus TCP interface, SysFS

## FUNCTIONALITY

Automation, IoT and IIoT, remote online monitoring and regulation, HVAC control, SCADA, sensorics, smart home control (lighting, doors, locks, irrigation etc.)

### Communication interfaces

1 × RS485  
1 × RS232  
1 × 1Gbit Ethernet  
2 × USB 2.0

### Other features

- Built-in webserver
- Special functions – Direct Switch, MasterWatchdog, user LEDs
- Durable aluminium chassis (IP20)
- Extended operating temperature range
- Available in an OEM variant
- Custom development available (IQRf, LoRa, wM-Bus, ZigBee, EnOcean and more)

# Unipi Axon S215

## • Communication

Ethernet	1 × 1Gbit Ethernet
Serial/bus channels	1 × RS485, 1 × RS232
RS485 transmission speed	134 baud .. 115 200 baud
RS485 galvanic isolation	Yes
RS485 biasing resistors	Yes, 560 Ω
RS485 terminating resistor	Builton attachable, 120 Ω
RS232 transmission speed	50 baud .. 3 Mbaud
RS232 galvanic isolation	No
WiFi	IEEE 802.11 b/g/n
Bluetooth	4.0, Low Energy (BLE)
WiFi/Bluetooth antenna	Internal
USB	2 × USB 2.0

## • Digital inputs

Nr.of inputs × groups	8 × 1
Common connector	DIGND
Galvanic isolation	Yes
Functions of inputs	Counter (incl. memory), signalization, Direct Switch
Max. frequency of counter input signal	10 kHz
Input voltage of log. 0	Max. 3 V DC
Input voltage of log. 1	Min. 7 V DC
Max. input voltage	35 V DC
Input resistance	6 200 Ω
Delay 0→1/1→0	20 μs / 60 μs

## • Relay outputs

Nr.of outputs × groups	1 × 2, 2 × 3
Galvanic isolation	Yes
Type of contact	Normally open (SPST)
Switchable voltage	250 V AC / 30 V DC
Switchable current	5 A
Short time overvoltage	5 A
Current via common conn.	10 A
Time to switch on/off	10 ms
Mechanical lifetime	5 000 000 cycles
Electrical lifetime	100 000 cycles
Protection against shortage	No
Inductive load protection	Not included

## • Power supply

Rated voltage - SELV	24 V DC
Power consumption	Typ. 4 W Max. 13 W
Reverse polarity protection	Yes

## • Installation and operating conditions

Operating conditions	0 °C .. + 70 °C, relative humidity 10 % .. 95 %, without aggressive substances, condensing vapor and fog
Storing conditions	- 25 °C .. + 70 °C, relative humidity 10 % .. 95 %, without aggressive substances, condensing vapor and fog
Degree of protection IP (IEC 529)	IP 20
Operation position	Horizontal
Installation	On 35mm DIN rail into distribution box (holder included)
Connection	Pluggable terminal blocks
Wire gauge	Max. 2.5 mm <sup>2</sup>

## • Dimensions and weight

Dimensions	70 × 90 × 60 mm
Weight	232 g

## • Standards compliance

EN 60730-1 ed.3:2012
RoHS
WEEE