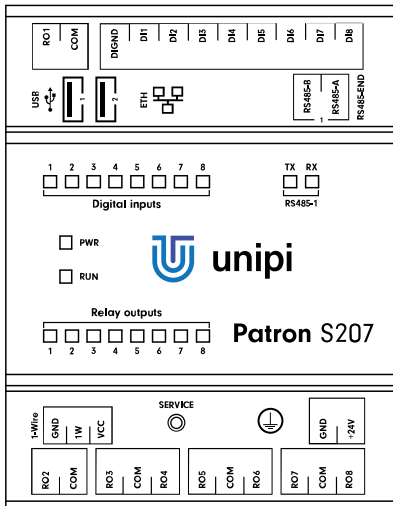


# Unipi Patron S207

## PRODUCT DESCRIPTION

Unipi Patron S207 is a programmable logic controller (PLC) and gateway designed for automation, control, regulation and monitoring. The S207 features a combination of digital inputs and relay outputs while retaining its compact size. That makes it applicable in a wide range of applications in simple installations that include monitoring, reading data from binary sensors and switching of external devices via relay outputs. The S207 also features a single RS485 serial interface for connection of extension modules or gateways and a 1-Wire interface for connection of digital temperature or humidity sensors.



## COMPUTING MODULE

i.MX 8M Mini quad-core CPU  
(Arm® Cortex®-A53, max 1.8 GHz),  
1 GB LPDDR4 RAM, 8 GB eMMC onboard memory

## FEATURES

### Inputs/outputs

8 × digital input incl. counter  
8 × relay output

### Software

- Powered by OS Linux
- Mervis – IDE (IEC 61131-3), HMI editor, proxy server, cloud database, SCADA, a wide range of supported protocols
- Open-source solutions – Node-RED, openHAB, Homebridge, FHEM, PiDome, DomotiGa, Domoticz, Pimatic and many more
- Custom SW implementation – EVOK open API, Modbus TCP interface, SysFS

## FUNCTIONALITY

Automation, IoT and IIoT, remote online monitoring and regulation, HVAC control (heating, ventilation, air conditioning), SCADA, sensorics, smart home control (lighting, doors, locks, irrigation etc.)

### Communication interfaces

1 × RS485  
1 × 1-Wire bus  
1 × 100 Mbit Ethernet  
2 × USB 2.0

### Other features

- The most powerful compact controller on the market
- Developed and manufactured in the EU
- Durable aluminium chassis (IP20)
- Extended warranty (4 years)
- Special functionality – Direct Switch, MasterWatchdog, user LEDs
- Available in OEM variant, broad extension options – PoE/PoE+, microSD, wireless technologies (LTE, Wi-Fi, Zigbee, ...), Secure boot and more

# Unipi Patron S207

## Communication

Ethernet	1 × 100 Mbit Ethernet
Serial/bus channels	1 × RS485, 1 × 1-Wire
RS485 transmission speed	134 baud .. 115 200 baud
RS485 galvanic isolation	Yes
RS485 biasing resistors	Yes, 560 Ω
RS485 terminating resistor	Built-in attachable, 120 Ω
1-Wire galvanic isolation	Yes
1-Wire output voltage Vcc	5 V
1-Wire max. current Vcc	50 mA
1-Wire connector	3 × pole, max. 1.5 mm <sup>2</sup>
USB	2 × USB 2.0

## Digital inputs

Nr.of inputs × groups	8 × 1
Common connector	DIGND
Galvanic isolation	Yes
Functions of inputs	Counter (incl. memory), signalization, Direct Switch
Max. frequency of counter input signal	10 kHz
Input voltage of log. 0	Max. 3 V DC
Input voltage of log. 1	Min. 7 V DC
Max. input voltage	35 V DC
Input resistance	6 200 Ω
Delay 0→1/1→0	20 μs / 60 μs

## Relay outputs

Nr.of outputs × groups	1 × 2, 2 × 3
Galvanic isolation	Yes
Type of contact	Normally open (SPST)
Switchable voltage	250 V AC / 30 V DC
Switchable current	5 A
Short time overvoltage	5 A
Current via common conn.	10 A
Time to switch on/off	10 ms
Mechanical lifetime	5 000 000 cycles
Electrical lifetime	100 000 cycles
Protection against shortage	No
Inductive load protection	Not included
Isolation voltage	4 000 V AC

## Power supply

Rated voltage - SELV	24 V DC
Power consumption	Typ. 6 W Max. 14.5 W
Reverse polarity protection	Yes

## Installation and operating conditions

Operating conditions	0 °C .. + 55 °C, relative humidity 10 % .. 95 %, without aggressive substances, condensing vapour and fog
Storing conditions	- 25 °C .. + 70 °C, relative humidity 10 % .. 95 %, without aggressive substances, condensing vapour and fog
Degree of protection IP (IEC 529)	IP 20
Operation position	Horizontal
Installation	On 35mm DIN rail into distribution box (holder included)
Connection	Pluggable terminal blocks
Wire gauge	Max. 2.5 mm <sup>2</sup>

## Dimensions and weight

Dimensions	70 × 90 × 60 mm
Weight	238 g

## Directive compliance

LVD: 2014/35/EU
EMC: 2014/30/EU
RoHS: 2015/863/EU
WEEE: 2012/19/EU